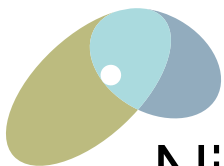


HYTERA TC610

QUICK REFERENCE GUIDE



D6016L



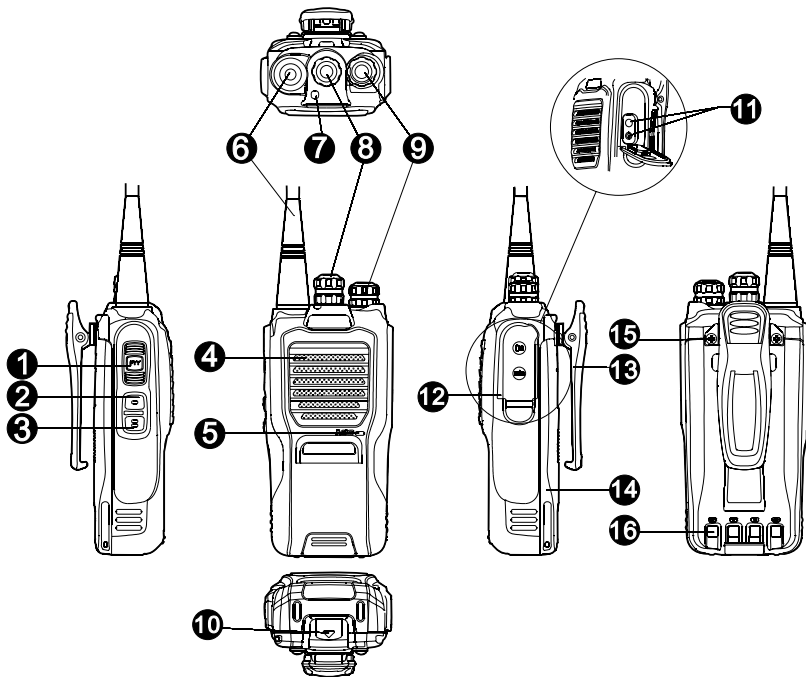
Ninehundred
Communications
Group

0845 600 4 900
www.ninehundred.co.uk

HYTERA TC610

QUICK REFERENCE GUIDE

Radio Overview



- (1) PTT (Push-to-Talk) key
- (2) SK1 (Side Key 1)(programmable)
- (3) SK2 (Side Key 2)(programmable)
- (4) Speaker
- (5) Microphone
- (6) Antenna
- (7) LED Indicator
- (8) Channel Selector Knob
- (9) Radio On-Off /Volume Control Knob
- (10) Battery Latch
- (11) Accessory Jack
- (12) Accessory cover
- (13) Belt Clip
- (14) Battery
- (15) Screw
- (16) Electrode Piece

Radio Overview

- **PTT (Push-to-Talk) Key**
Press and hold down the **PTT** key to transmit, release it to receive.
- **SK1 (Side Key 1)**
Side Key 1 is the programmable key that can be assigned with long press function and short press function by your dealer. (See Glossary for definitions of short press and long press.)
- **SK2 (Side Key 2)**
Side Key 2 is the programmable key that can be assigned with long press function and short press function by your dealer. (See Glossary for definitions of short press and long press.)
- **LED indicator**
Status of LED indicator and alert tone see table below (See Functions and Settings for the detailed operations):

Power up in user mode	When the radio is turned on, the power up alert tone is heard. When the current channel is a blank channel, the radio sounds Beep tone continuously.
Low battery alert	LED flashes red, and a low-pitched tone sounds at intervals of 10 seconds.
Transmitting	LED glows red when transmitting When TOT timer expires, the radio sounds Beep tone continuously. TOT pre-alert: a Beep is heard.
Receiving	LED glows green when carrier is present.
Scanning	Green LED flashes at every 1 second, while scanning is in process. Scan Start Alert Tone (programmable by your dealer): a Beep is heard. Scan Exit Alert Tone (programmable by your dealer): a Beep is heard. Priority Channel Scan Alert Tone

Radio Overview

	your dealer): when scanning, if the current channel is the priority channel, the radio sounds a Beep.
Power adjust	A low-pitched tone is heard when transmit power is adjusted from high power to low power. A high-pitched tone is heard when transmit power is adjusted from low power to high power.
VOX	A high-pitched tone is heard when the VOX feature is activated. A low-pitched tone is heard when the VOX feature is disabled.

- **Channel Selector Knob**
Rotate the knob to select from channel 1 to 16.
- **Radio On-Off/Volume Control Knob**
Rotate the knob clockwise to turn the radio on, rotate the knob fully counter-clockwise until a click is heard to turn the radio off.
Turn the knob clockwise to increase the volume, or

counter-clockwise to decrease the volume.

- **Battery latch**
Used to remove the battery.
- **Accessory Jack**
The jack is used to connect speaker, microphone, external PTT, earpiece, programming cable and cloning cable.

Assembly and Disassembly

Attaching the Battery

1. Hold the battery and make it close to the top of aluminum chassis, see figure 1. (Note: insert the tab on the top of battery into the top of battery slot).

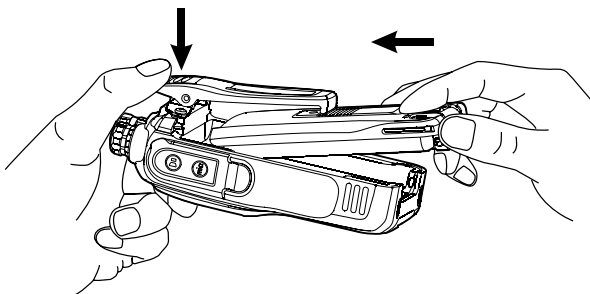


Fig.1

2. Lightly press the bottom of the battery until a click is heard. By then, the battery latch locks with the main unit and assembly is finished. See figure 2 below.

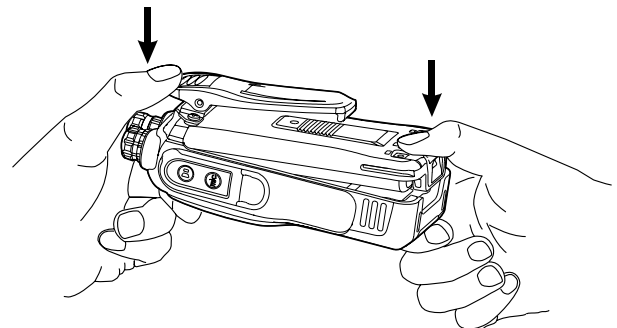


Fig.2

Assembly and Disassembly

Note: if the battery is not well locked, please remove the battery and attach it again.

Removing the Battery

1. Please turn off the radio first. Then hold the top of radio main unit and press belt clip to make its tail

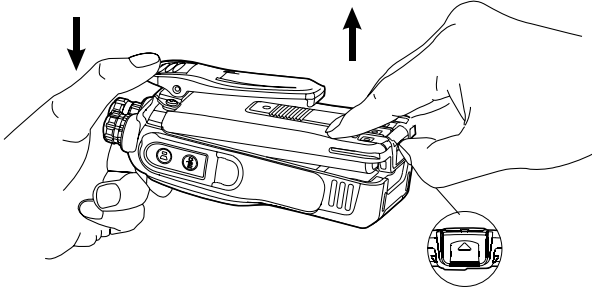


Fig.3

turn up. Lift the battery latch in the direction of the arrow. See figure 3.

2. When the bottom of battery is turned up, release the battery latch and take out from the battery slot, see figure 4 below. (Note: when battery is turned up, the angle between battery and main unit can not be too large to cause serious abrasion of the tab in the top of battery.)

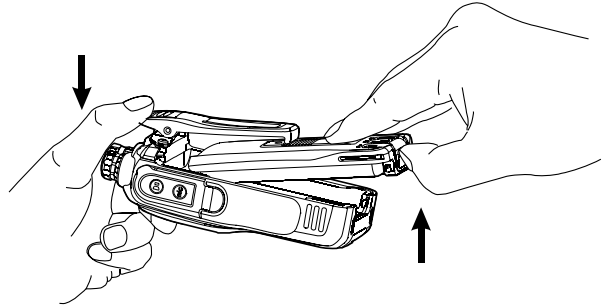


Fig.4

Basic Operations

Turn the Radio On/Off

Turn the **radio on-off /volume control** knob clockwise to turn on the radio, then radio sounds an alert tone. Turn the **radio on-off /volume control** knob counter-clockwise to turn off the radio. (See figure 11 below)

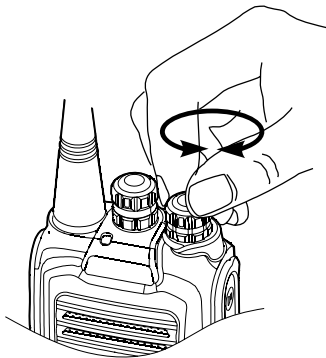


Fig.11

Adjust the Volume

Press the programmable key set as Squelch Off / Squelch Off Momentary to listen the background noise, then turn the **volume control** knob clockwise/counter-clockwise to increase/decrease the volume. See Glossary for definition of Squelch. (See figure 12 below).

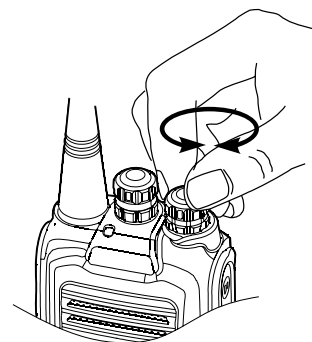


Fig.12