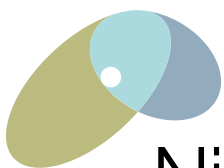


HYTERA PD705

QUICK REFERENCE GUIDE



D6016L



Ninehundred
Communications
Group

0845 600 4 900
www.ninehundred.co.uk


HYTERA PD705


QUICK REFERENCE GUIDE

This guide is helpful for you to quickly know how to use the PD70X / PD70XG/ PD70X (X may represent 2, 5, 6 or 8) LT digital portable radio.

1. Instructional Icons

The following icons are available through this guide:

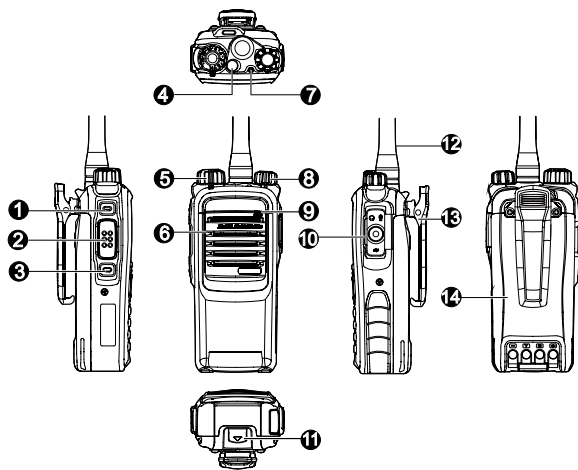
 : indicates functions that are available on digital channel only.

 : indicates functions that are available on analog channel only.

Functions marked with no function icons are available on both analog and digital channels.

2. Product Overview

■ Product Controls



No.	Part Name	No.	Part Name
1	SK1 (Side Key 1)	8	Radio On-Off/Volume Control Knob
2	PTT Key	9	Microphone
3	SK2 (Side Key 2)	10	Accessory Jack
4	TK (Top Key)	11	Battery Latch
5	Channel Selector Knob	12	Antenna
6	Speaker	13	Belt Clip
7	LED Indicator	14	Battery

■ Programmable Keys

For enhanced convenience, you may request your dealer to program the keys **SK1**, **SK2** and **TK** as shortcuts to radio functions. See the Owner's Manual for details.

3. Status Indication

■ LED Indicator

LED Indicator	Radio Status
The LED flashes green.	Powering on
The LED glows red.	Transmitting
The LED glows green.	Receiving
The LED flashes orange slowly.	Hunting
The LED flashes orange rapidly.	Emergency
The LED glows orange.	After voice communication ends, you can hold the PTT key to talk while the LED glows orange.

4. Basic Operations

■ Powering On/Off

Rotate the **Radio On-Off/Volume Control** knob clockwise/counter-clockwise until a click is heard to turn the radio on/off.

■ Adjusting the Volume

After turning the radio on, rotate the **Power On-Off/Volume Control** knob clockwise to increase the output sound volume, or counter-clockwise to decrease it.

■ Adjust Power Level

With this feature, you may switch power levels quickly. Generally, we recommend you to adopt low power for battery saving. However, if you cannot communicate with radios located at a distant place with low power, please select high power.

Press the programmed **Adjust Power Level** key to switch the Tx power of the current channel between High and Low.

■ Selecting a Zone

A zone is a group of channels exhibiting the same property. You can list such channels into a zone for convenient management to them. The radio supports 3 zones: Zone 1, Zone 2 and Zone 3. Each zone contains 16 channels at most.

You may quickly toggle to your wanted zone by pressing the programmed **Zone Up** or **Zone Down** key. When toggling to a zone, you will hear the alert tone for the zone (one alert tone for Zone 1, two alert tones for Zone 2 and three alert tones for Zone 3).

■ Selecting a Channel

After turning the radio on, rotate the **Channel Selector** knob to

select a needed channel. You can also switch to the designated channel by pressing the **Preset Channel** key.

If the Channel Notify function is active, you will hear the corresponding channel number when switching to any channel.

■ Switching the Channel Mode

Each channel can be programmed as either analog channel or digital channel via your dealer. If the current zone includes both analog and digital channels, you may quickly switch between digital and analog channels through the **Channel Selector** knob.

5. Call

To ensure optimal volume of the receiving radio, hold the palm microphone approximately 2.5 to 5 centimeters away from your mouth.

■ Private Call

Initiating a Call

In standby mode, hold the **PTT** key to transmit a private call to the private call contact preset for the current channel.



Note: Your dealer may preset a contact for each digital channel. The preset contact could be a private call contact, a group call contact or an all call contact.

Receiving a Call or Calling Back

When a private call is received, you can listen to it without any operation. You may hold the **PTT** key within the preset time period to call back.

■ Group Call

Initiating a Call

In standby mode, hold the **PTT** key to transmit a group call to the group call contact preset for the current channel.

Receiving a Call or Calling Back

When a group call is received, you can listen to it without any operation, and you may hold the **PTT** key within the preset time period to call back.

■ Calls on Analog Channels

To transmit on an analog channel, hold down the **PTT** key and speak into the microphone. To receive, release the **PTT** key.

■ Time-out Timer (TOT)

TOT aims to prevent any user from occupying a channel for an extended period. If the preset time expires, the radio will automatically terminate the transmission and keep beeping. To stop beeping, please release the **PTT** key. You must wait for a certain time period (preset by your dealer) to initiate another transmission.