

# MOTOROLA DP4400

## QUICK REFERENCE GUIDE



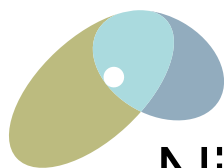
**MOTOROLA SOLUTIONS**

**PLATINUM RESELLER**

Professional and Commercial Radio

Professional and Commercial Radio

Professional and Commercial Radio



**Ninehundred**  
Communications  
**Group**

**0845 600 4 900**  
[www.ninehundred.co.uk](http://www.ninehundred.co.uk)

# MOTOROLA DP4400

## QUICK REFERENCE GUIDE

---

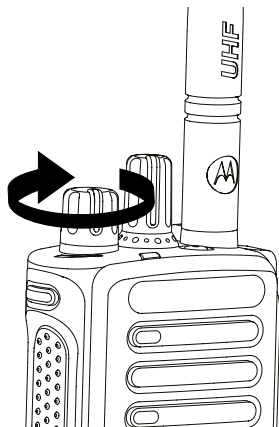
### ■ Powering Up the Radio

---

Rotate the **On/Off/Volume Control Knob** clockwise until you hear a click. The LED lights up solid green.

A brief tone sounds, indicating that the power up test is successful.

**NOTE:** There is no power up tone if the radio tones/alerts function is disabled (see **Turning Radio Tones/Alerts On or Off** on page 37).



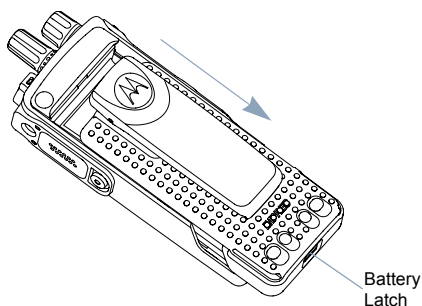
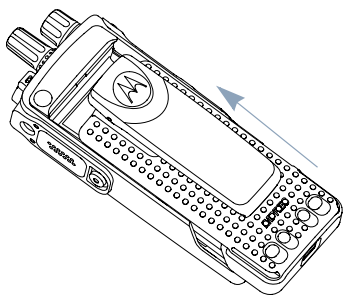
If your radio does not power up, check your battery. Make sure that it is charged and properly attached. If your radio still does not power up, contact your dealer.

*To turn off the radio, rotate this knob counterclockwise until you hear a click.*

### ■ Attaching the Battery

---

Align the battery with the rails on the back of the radio. Press the battery firmly, and slide upward until the latch snaps into place. Slide battery latch into lock position.

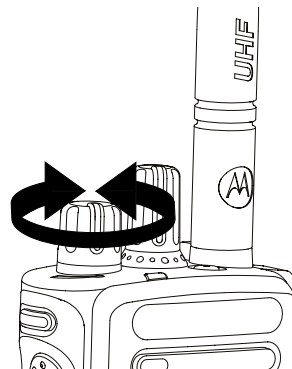


*To remove the battery, turn the radio off. Move the battery latch into unlock position and hold, and slide the battery down and off the rails.*

### ■ Adjusting the Volume

---

To increase the volume, turn the **On/Off/Volume Control Knob** clockwise.



*To decrease the volume, turn this knob counterclockwise.*

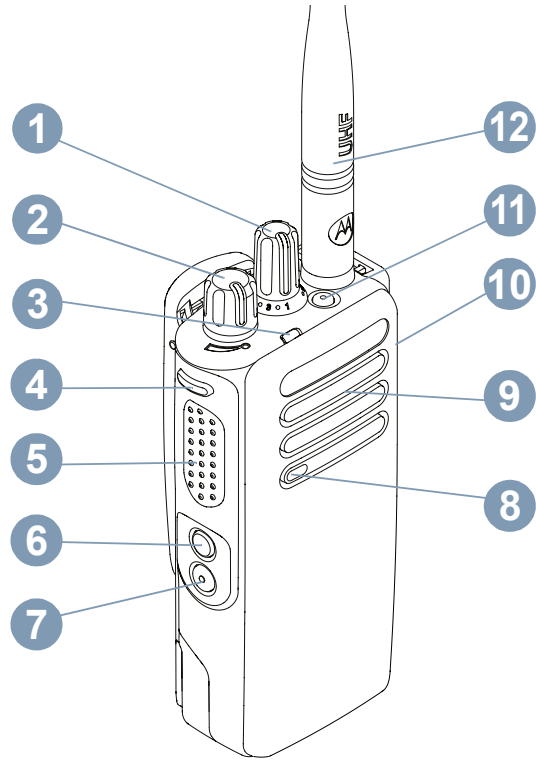
**NOTE:** Your radio can be programmed to have a minimum volume offset where the volume level cannot be turned past the programmed minimum volume. Check with your dealer or system administrator for more information.

## Identifying Radio Controls

### Radio Controls

- 1 Channel Selector Knob
- 2 On/Off/Volume Control Knob
- 3 LED Indicator
- 4 Side Button 1\*
- 5 Push-to-Talk (PTT) Button
- 6 Side Button 2\*
- 7 Side Button 3\*
- 8 Microphone
- 9 Speaker
- 10 Universal Connector for Accessories
- 11 Emergency Button\*
- 12 Antenna

\* These buttons are programmable.



## Identifying Status Indicators

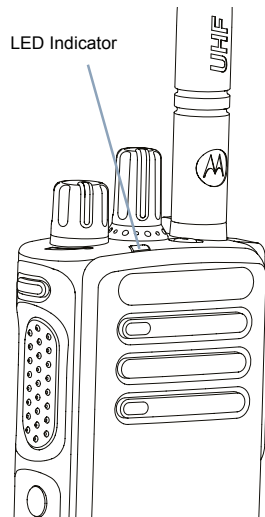
### LED Indicator


The LED indicator shows the operational status of your radio.

**Blinking red** – Radio is transmitting at low battery condition, receiving an emergency transmission or has failed the self-test upon powering up.

**Solid green** – Radio is powering up, or transmitting. Also indicates full charge of the battery when **Battery Strength** button is pressed.

**Blinking green** – Radio is receiving a non-privacy-enabled call or data, or detecting activity over the air.



**Double blinking green** – Radio is receiving a privacy-enabled call or data .

**Solid yellow** – Radio is monitoring a conventional channel. Also indicates fair battery charge when **Battery Strength** button is pressed.

**Blinking yellow** – Radio is scanning for activity or receiving a Call Alert, or all local Linked Capacity Plus channels are busy.

**Double blinking yellow** – Radio is no longer connected to the repeater while in Capacity Plus or Linked Capacity Plus, all Capacity Plus channels or Linked Capacity Plus channels are currently busy, Auto Roaming is enabled, radio is actively searching for a new site. Also indicates radio has yet to respond to a group call alert, or radio is locked.

**NOTE:** While in conventional mode, when the LED blinks green, it indicates the radio detects activity over the air. Due to the nature of the digital protocol, this activity may or may not affect the radio's programmed channel.

For Capacity Plus and Linked Capacity Plus, there is no LED indication when the radio is detecting activity over the air.